

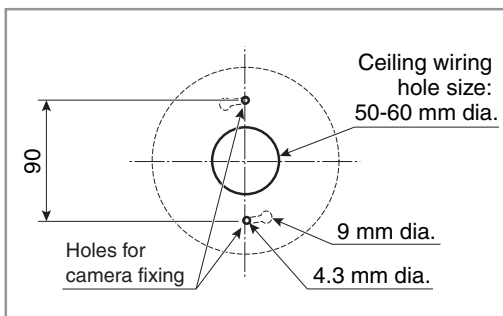
COLOR CAMERA ISD-A30

INSTALLATION PROCEDURE

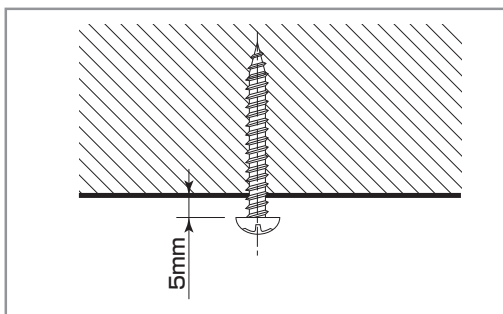
Precautions

- Do not remove the transparent sheet off the dome cover until the camera has been completely installed.
- During the set-up work, be very careful not to get yourself injured.

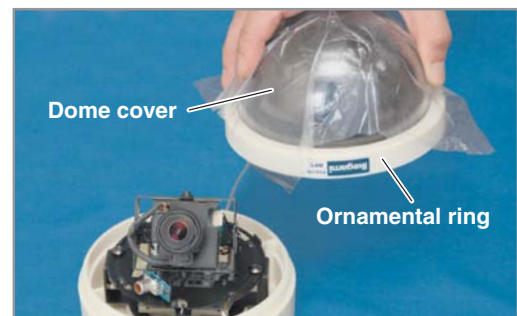
- 1** Make the two pilot holes in the mounting face, as shown below, that fit the wiring holes and the mounting screw positions. Drill the wiring holes to the diameters of 50-60 mm.



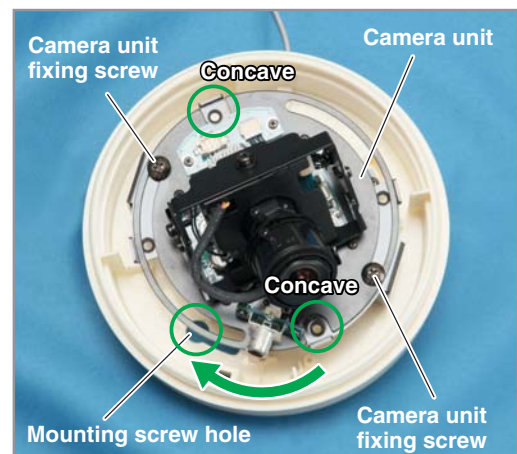
- 2** Temporarily drive the mounting screws (prepare them according to the mount's material) in the two mounting screw holes (drilled in Step 1 above), as shown below. Make sure there is a clearance of 5 mm or so with the mounting face.



- 3** Turn the ornamental ring to detach the dome cover.



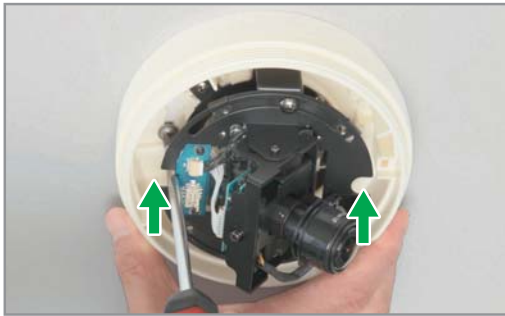
- 4**
- ① Loosen the two camera unit fixing screws from the camera unit.
 - ② Turn the camera unit until the concaves of the camera unit match the mounting screw hole positions of the camera.



- 5** Tighten up the two camera unit fixing screws to fix the camera unit in position.



- 6** Let the camera's specially-shaped holes through the heads of the screws in Step 2 above, and turn the camera clockwise. Tighten up the mounting screws to fix the camera in position.



- 7** After positioning the camera, secure the ornamental ring and dome cover in place.

