

Ikegami

Monochrome Video Monitors[EIA/CCIR]

PM-K Series



■ PM-K5 [5inch]



■ PM-K9 [9inch]



■ PM-K12 [12inch]



■ PM-K17 [17inch]

The PM-K5(5-inch), PM-K9(9-inch), PM-K12(12-inch) and PM-K17(17-inch) are high quality and high performance monochrome picture monitors designed for video applications that require faithful video reproduction.

High Resolution

PM-K series are high quality picture monitors that deliver vivid high resolution video of 700TVL(PM-K5/K9), 750TVL(PM-K12) , 900TVL(PM-17K) or more.

Employing high-reliability silicon transistors and ICs

Circuit stability ensures consistently high picture quality even if there are variations in power supply and temperature.

DC regulation circuit and ABL circuit

Covers shadows to highlighted areas of the scene, to stabilize brightness.

Video output terminal and 75 ohm auto termination

The bridge connection can be made easily. It permits several monitors to be connected together to implement a surveillance system.

Switching regulator power supply and AC socket

It not only reduces power consumption and weight but covers worldwide voltage. Various AC plug cables are available.

Metal cabinet

The cabinet's solid metal construction greatly reduces both interferences to and from neighboring devices.

External sync/Underscan

External sync input and underscan is available as factory option.

PM-K Series Monochrome Monitors [EIA/CCIR]

Specifications

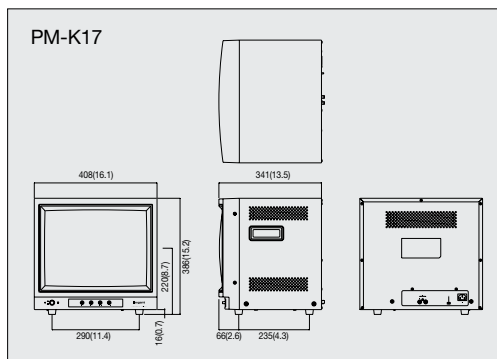
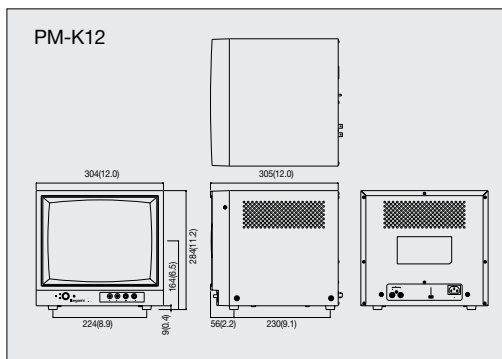
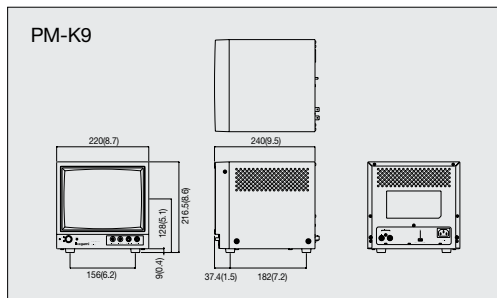
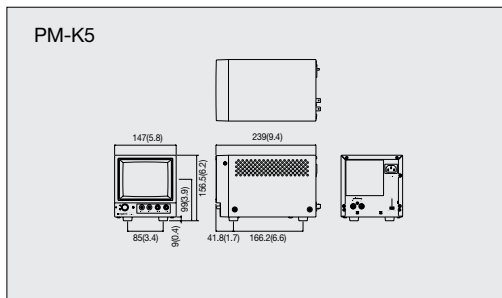
	PM-K5 (5 inch)	PM-K9 (9 inch)	PM-K12 (12 inch)	PM-K17 (17 inch)
Picture tube	140AJB4(L) or equivalent	P90AP4 or equivalent	R12CP4 or equivalent	440LB4 or equivalent
Video input level	VS 1.0Vp-p [Video:0.7Vp-p(positive), Sync.:0.3Vp-p(negative)]			
Video Input impedance	75Ω auto termination			
Video output level	25Vp-p	30Vp-p	30Vp-p	40Vp-p
External Sync. input level	4.0Vp-p(negative) [External Sync. Type:Factory option]			
Sync. Input impedance	75Ω auto termination [External Sync.Type:Factory option]			
Video frequency response	60Hz~8MHz±3dB or less(100kHz reference)			60Hz~10MHz±3dB (100kHz reference)
Horizontal resolution	700 TV lines or more at center	700 TV lines or more at center	750 TV lines or more at center	900 TVLines or more at center
S/N ratio	Hum noise:-60dB or less Sync noise:-40dB or less			
Linearity	10% or less(by the DG method)			5% or less (by the DG method)
Scanning system	EIA:525 Lines/60Hz CCIR:625 Lines/50Hz *			
Power requirement	Within 100V Area:AC100~120V/50/60Hz Within 200V Area:AC200~240V/50/60Hz			
Environment temperature	-10°C~+45°C +13.6°F~+113.0°F			
Dimensions	W147×H156.5×D239mm (W5.8×H6.2×D9.4inches)	W220×H216.5×D240mm (W8.7×H8.6×D9.5inches)	W304×H284×D305mm (W12.0×H11.2×D12.0inches)	W408×H386×D341mm (W16.1×H15.2×D13.5inches)
Weight (Standard Type)	2.4kg Approx. (5.29 lbs)	4.1kg Approx. (9.03 lbs)	7.1kg Approx. (15.65 lbs)	12.5kg Approx. (27.55 lbs)
Power consumption	16W or less	22W or less	22W or less	42W or less

* non switchable

Controls

Front Panel	Power Switch, Contrast Control, Brightness Control, V. Hold Control, H. Hold Control
Rear Panel	AFC Mode Switch, Sync. Mode Switch (External Sync. Type)

Dimensions mm (inch)



PM-209 [EIA/CCIR]



- **Horizontal Resolution :**
900 lines or more
- **Sync. System :**
External Sync. or Internal Sync. Switchable
- **Dimensions :**
W488×H464×D361mm
- **Weight :**
Approx.21.0kg

Design and specifications are subject to change without notice.

U63A027-HI-K5 Printed in Japan

Ikegami **IKEGAMI ELECTRONICS (U.S.A.), INC.** ■ URL <http://www.ikegami.com>

HEADQUARTERS 37 BROOK AVENUE, MAYWOOD, NJ 07607
 Phone:(201) 368-9171 Fax:(201) 569-1626

WESTCOAST OFFICE 2631 MANHATTAN BEACH BLVD, REDONDO BEACH, CA 90278 Phone:(310) 297-1900 Fax:(310) 536-9550

SOUTHWEST OFFICE 526 BLUEBIRD LANE, RED OAK, TX 75154 Phone:(972) 869-2363 Fax:(972) 556-1057

MIDWEST OFFICE 747 CHURCH ROAD, UNITS C4 ELMHURST, IL 60126 Phone:(630) 834-9774 Fax:(630) 834-8689

SOUTHEAST OFFICE 5200 N.W. 33RD AVENUE, SUITE 111 FORT LAUDERDALE, FL 33309 Phone:(954) 735-2203 Fax: (954) 735-2227